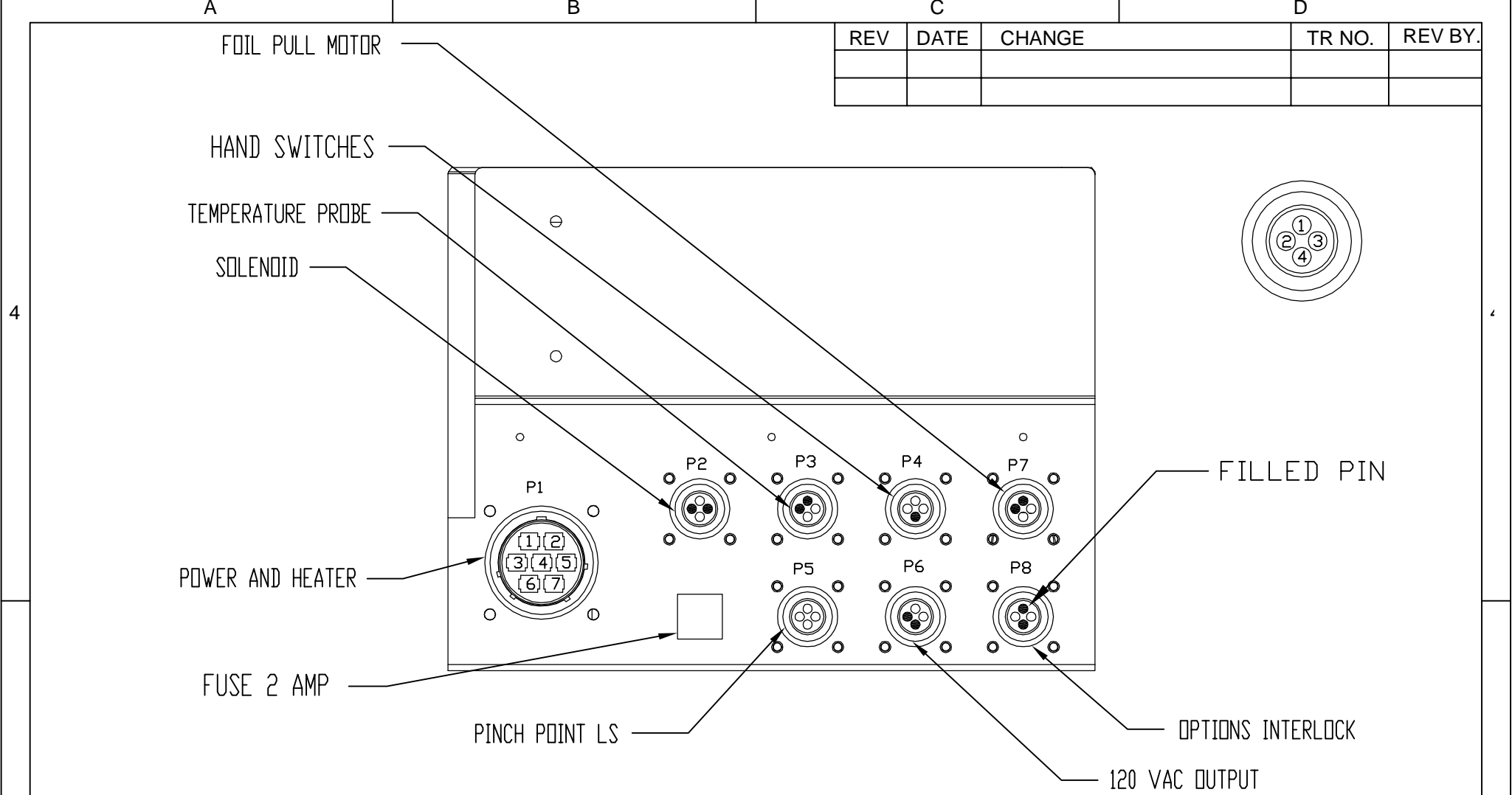
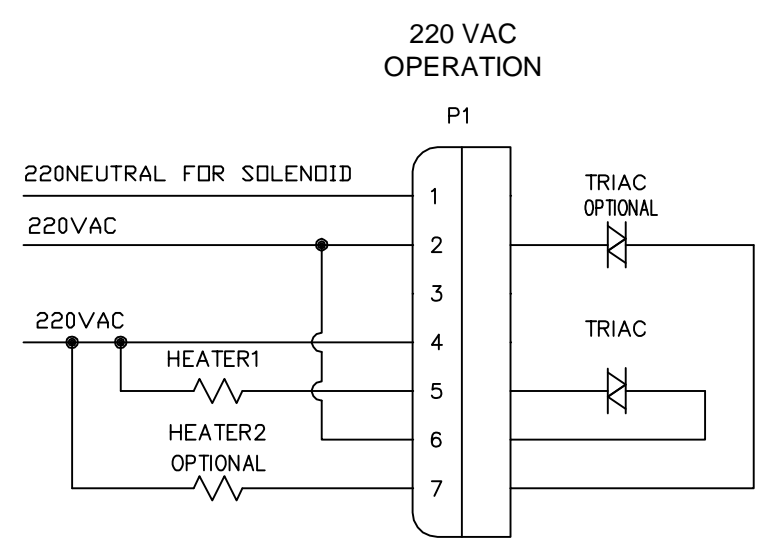
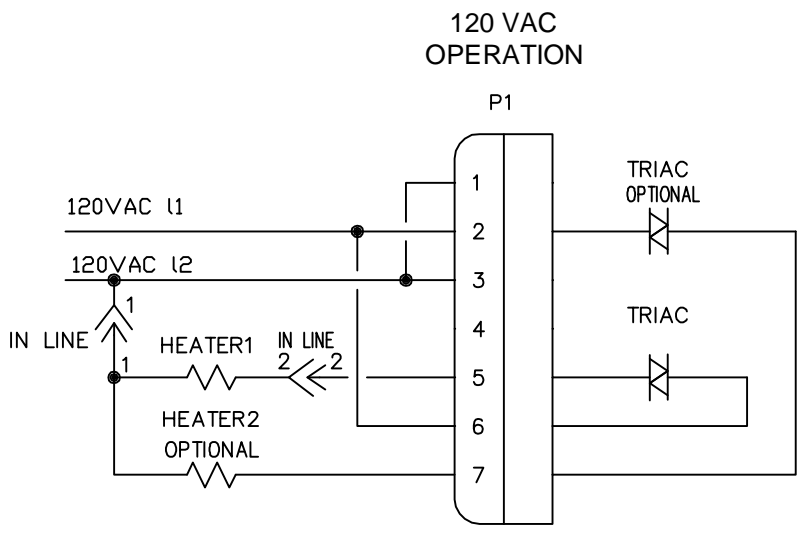
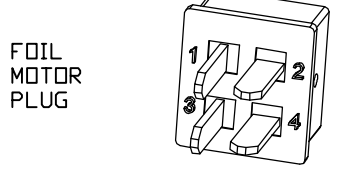
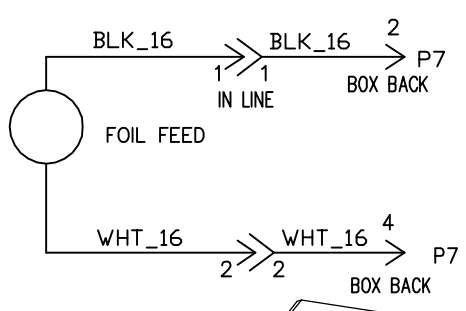
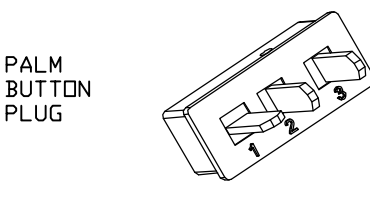
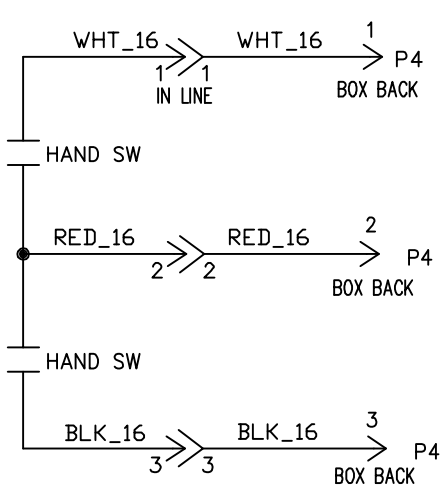
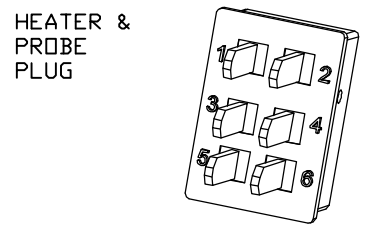
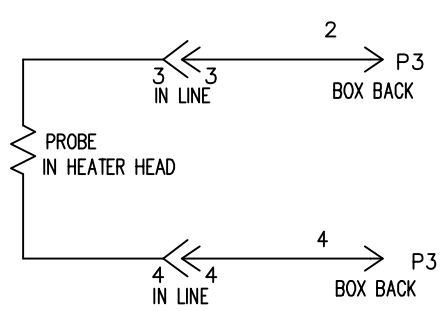
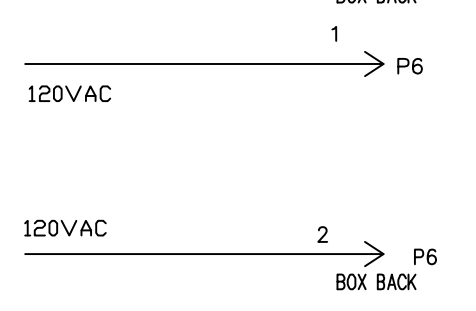
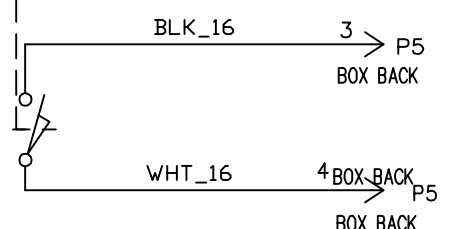
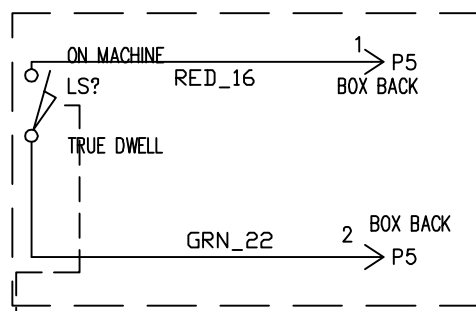
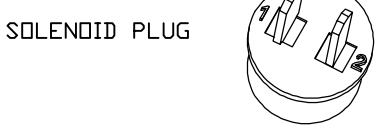
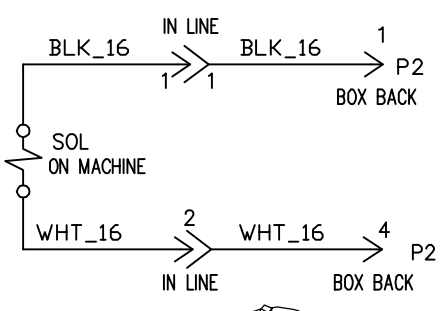


REV	DATE	CHANGE	TR NO.	REV BY.



ELECTRIC FOIL FEED ONLY



S:\AFMMachines\FranklinHotStampControlBox\Digital\Digital_Box_Back.dwg

AFM ENGINEERING, INC.
 1313 E. Borchard Ave
 Santa Ana, CA 92705

TITLE	Franklin Digital Control Box Back
DRAWING NO.	Digital_Box_Back.dwg
SHEET	OF 1

DESIGNED BY	IRWIN
DRAWN BY	IRWIN
CHECKED BY	C.S.I.
APPROVED BY	C.S.I.