

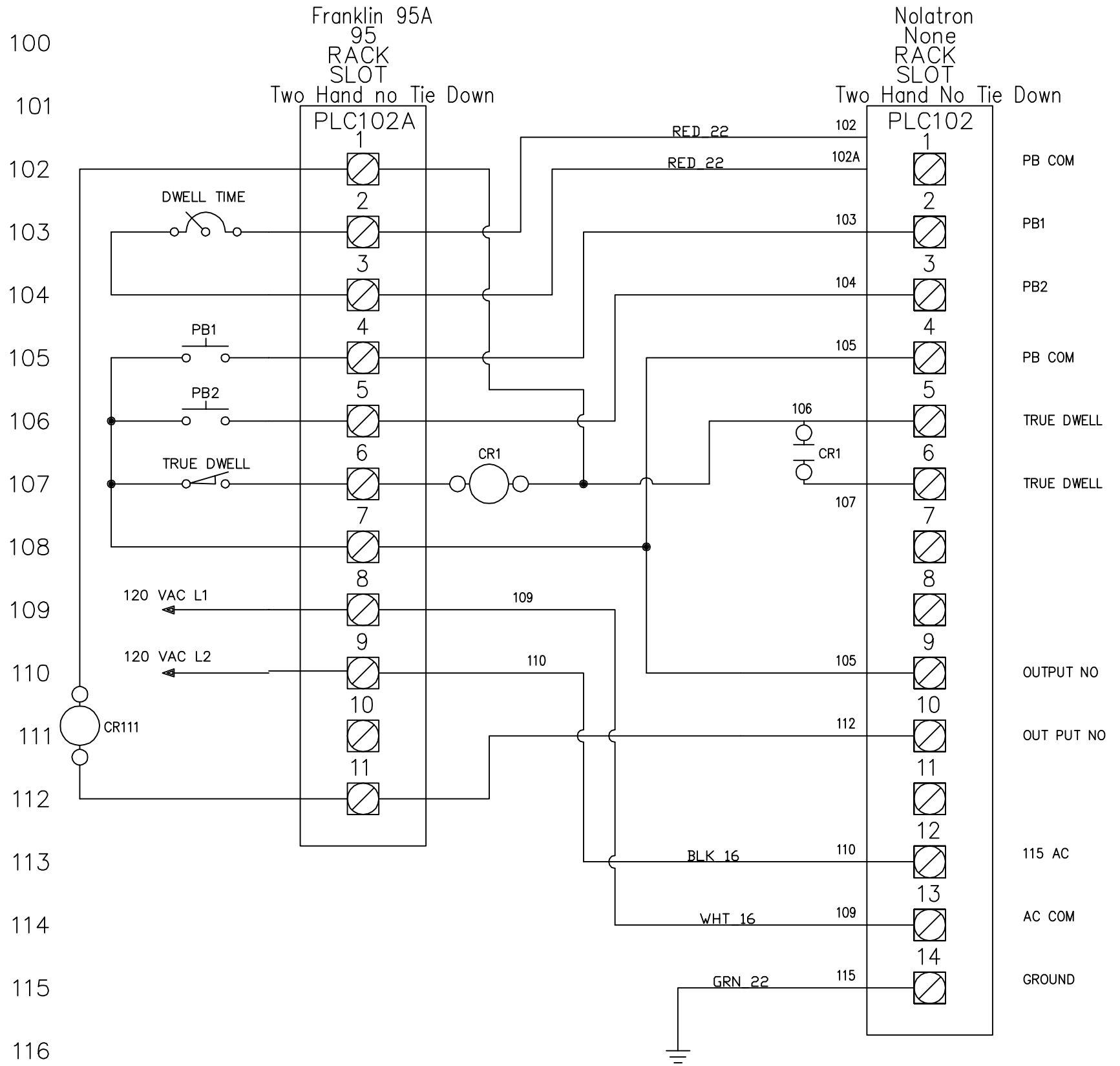
A

B

C

D

REV	DATE	CHANGE	TR NO.	REV BY.



4

3

2

1



1313 E. Borchard Ave  
Santa Ana, CA 92705

TITLE  
AFM Engineering, Inc.  
Franklin 95A to Nolatron Conversion

DRAWING NO. 1AFM11-17-2007

SHEET 1 OF 1

DESIGNED BY IRWIN  
DRAWN BY IRWIN  
CHECKED BY C.S.I.  
APPROVED BY C.S.I.